

TAYAMA®



User Manual

Sous Vide

Immersion Circulator

Model ELE-01

Please read all instructions carefully before operating the appliance and keep for future reference.

Table of Contents

Important Safeguards	3
Cooking Sous Vide	4
Features	5
Setting Up	6
Clamp Position	6
Operation	7
Cleaning	9
Troubleshooting	10

IMPORTANT SAFEGUARDS

When using electrical appliances basic safety precautions should always be followed including the following:

*** Disclaimer:** Manual instructions should always be read and implemented prior to product use. Manufacturer/ importer advisory board are not reliable for inadequate use due to instruction manual negligence or failure to follow direction. **This product is intended for household use only!**

Children: Keep this device out of the reach of children or other disqualified persons, since the misuse of contents and packaging materials may result in hazard or death.

Scorching and burns: Refrain from touching hot surfaces or water content while the device is in use. Instead, use handles or knobs as needed.

Circulated water may reach very high levels of heat. For maximum burn prevention, use tongs when reaching within the water bath. Trivet use can prevent counter-top scorching. Exercise extreme caution when transporting containers of hot water.

Setup hazards: This device is only intended for indoor use of food preparation.

- Prevent electric shock: do not immerse product, cord, or plug in liquids.
- Use grounded power sources when connecting the device and refrain from extension cord usage.
- Unplug the circulator device from its electrical outlet source prior to handling or cleaning. Allow adequate cooling time before removing any appliance parts.
- Never operate this device with a malfunctioning cord or plug. Return the appliance to the nearest authorized service facility for examination, repair, or adjustment.
- Never apply accessory attachments which are not specified for this device, since they may result in injury.
- Never place the device on or near the proximity of a hot gas or electric burner, neither near a heated oven or flammable source.

Safety during use: This device should only be activated within water. Maintain water levels between the min and max indicator levels.

Throughout the cooking process, keep the appliance's cord, power box, and upper portion dry and refrain from operating unless the water level is at the designated indication marker. Only the heater and circulator portion should be immersed.

In the event that any other parts accidentally submerge in liquid, unplug the device immediately and contact us for assistance.

For energy conservation, cover the water bath with an external lid or cling wrap. Never cover any part of the appliance in cling wrap.

Cooking Sous Vide

Congratulations on purchasing the Tayama® Immersion Circulator! You are about to see how easy it is to achieve perfectly cooked proteins and vegetables every time. Preheat your water bath to the desired cooking temperature by adjusting the temperature knob on your Tayama® Immersion Circulator.

STEP 1 Seal the ingredients you wish to cook in a plastic bag. You can also use a canning jar filled with your favorite cooking oil.

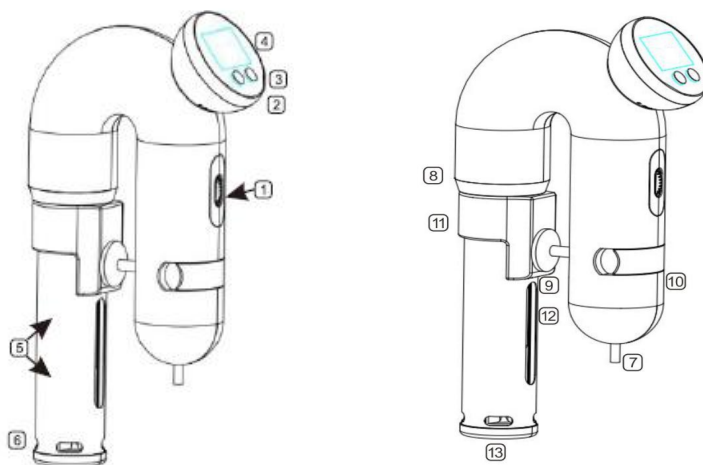
STEP 2 Place the bagged food in the water bath and let it cook until it has reached its target temperature.

STEP 3 Give your food a quick sear, and it's ready to serve!

Tayama® Sous Vide Immersion Circulators are precision temperature controlled circulators designed to regulate the temperature of a water bath. Tayama® circulators are not designed for direct contact with food.

Do not use Tayama® circulators to directly contact food -- at no time should food products also come in contact with bath fluid. Food must be vacuum sealed, heat sealed, or zip locked before use with the circulator. Food products like juice, soup or milk products still need to be bagged or sealed in jars for cooking.

Features



1. **Temperature Ring:** Turn the ring to set the temperature and time. Turn the knob up to increase the temperature and time, down to decrease it. The set temperature and time will adjust as you turn.
2. **Power and Start button:** Used to turn the circulator on and off. When on, heating and circulating begins immediately.
3. **C/F button:** Used to switch between Celsius and Fahrenheit unit on the display.
4. **Display:** During normal operation, the display shows the current temperature of the water bath. When you turn the temperature ring, the display temporarily shows target temperature.
5. **Minimum Fill/Maximum Fill** – These lines indicate the minimum and maximum fill levels for the water bath. Never operate your immersion circulator if the water level is outside of these boundaries, as it may cause damage to the unit.
6. **Pump Outlet** – The circulator moves water through the pump outlet to keep the water bath at an even temperature.
7. **Power Cord Plug**
8. **Reset** – For safety, the machine enters reset mode if water level is too low.
9. **Clamp** – The clamp attaches the machine to the wall of a water container.
10. **Latch** – The latch locks and unlocks the back cover to the base of the immersion circulator.
11. **Non-Slip Protector** – Grips to container to prevent any slippage.
12. **Drainage Holes on the PTC Protective Cover** – Protects the pump impeller and allows water to circulate.
13. **Bottom Cover** – Metal base at the bottom on the circulator to keep heating elements free from contact with other objects.

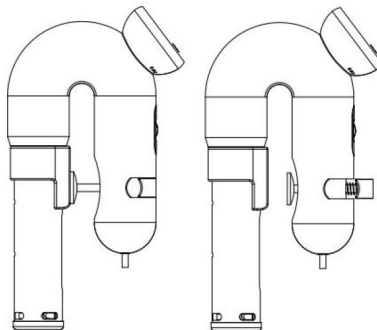
Setting Up

1. Pick a container large enough to hold your food, and with plenty of room for water to circulate. We recommend a polycarbonate food storage container, or a large metal pot. Avoid plastic containers made with BPAs or PVC materials.
2. Attach the Tayama® Immersion Circulator to the side of the container. Add water until the level is above the Minimum Fill line, but below the Maximum Fill line. Remember that the water level will rise when you add your food. (Never turn on the Tayama® Immersion Circulator in an empty or under-filled water bath.)
3. Plug in the Tayama® Immersion Circulator.
4. Press the Power button on the top of the unit. This turns on the display and makes the circulator heat the water to the set target temperature. Set the target temperature of the water bath by turning knob below the display. The Tayama® Immersion Circulator automatically keeps the water at the target temperature until you turn it off. Your water bath is now ready for cooking!



Clamp Position

The clamp on the front of the Tayama® Immersion Circulator has two different configurations. In most cases the clamp attaches to the machine on the inner peg but if the container wall is very thick it may not be able to attach properly. Our clamp has an innovative unique design with a pressurized spring to fix the machine on the container wall. The white non-slip protective cover prevents any slippage.

Pull clamping rod back gently and attach the machine clamp to the wall of a water container. The clamping rod is not removable, but can be easily cleaned. In addition, the circulator should never be operated without the clamp attached and secured to a water bath.




Operation

1. Fill the designated container with water, gauging by the water level indicator on your device. Fill between the min  and max  marks, never filling too high since water levels will rise with the insertion of food contents.

* Your device is equipped with an alarm which indicates low water levels due to high evaporation release from the heightened heat exposure. Once the water level reaches below the min mark, your circulator will automatically shut off.

Water Level between Max and Min



2. Select the Power Button  on the device screen for more a 5 second duration. The circulator screen will indicate the water temperature level settings.



* The second line indicates the current water temperature. You have the option of selecting Celsius or Fahrenheit configuration.

The first line will display the **Set Temperature** of the water bath.

The second line is the **Current Temperature** of the water bath.

The third line will display the **Set Time and Working Time**.

*Select either °C or °F for your measure of temperature:

Press both the **Power Button**  and **C/F Button**  hold for 2 seconds to switch between Celsius and Fahrenheit units on the display.

Select Hours or Minutes Working Time:

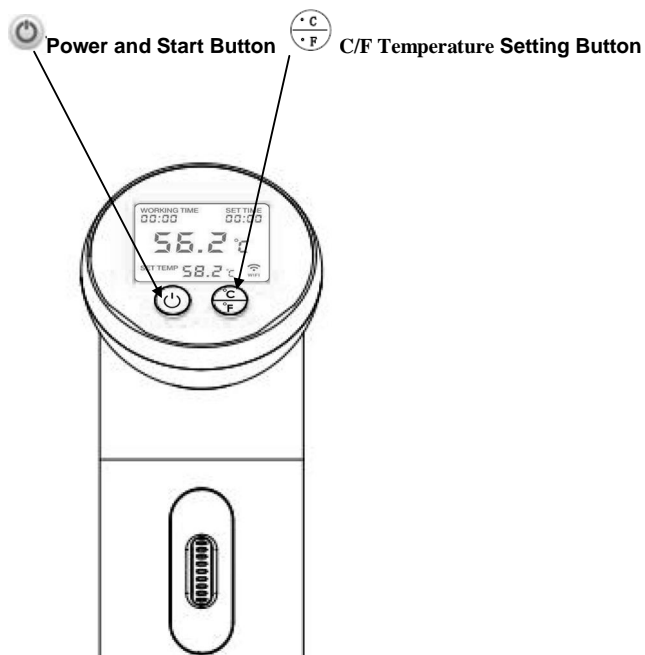
Press the **C/F Button**  :

Press one time to set per hour. Press 2 times to set per minute.

When the hour and minute time flashes in the display, turn the temperature ring



up and down to set the temperature. The temperature setting can be adjusted anytime except when the set time display is flashing.



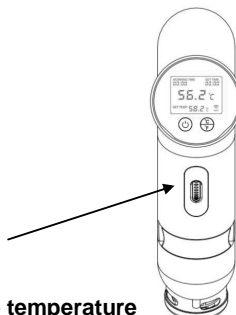
3. Set the temperature level, the maximum temperature setting being 95°C/203°F




Turn the ring to set the temperature and time. Turn the ring up to increase the temperature and time, down to decrease it. The set temperature and time will adjust as you turn. Maximum Temperature Setting is 95°C/203°F. Time Setting ranges from 00:00 to 99:99.



Temperature Ring adjusts the temperature



4. Press the digital Power Button once to begin circulating the water.
5. Once the desired temperature is reached, place the vacuum bagged food within its water bath. When the water temperature reaches the set temperature. The appliance will sound “beep” every three seconds. Press the C/F Button  for 2 seconds to cancel the sound.
6. Turn the appliance off by selecting the power button for a 5 second duration.

Cleaning

With frequent use, descaling should be done every month or more often in regions with hard water.

Decalcifying:

1. Put the appliance in a pot and fill the pot with water to the "Max" level indicated on appliance.
2. Set the appliance temperature to 70°C.
3. Add 5g of citric acid powder (Food grade) per liter of water used.
4. Allow the water to circulate for 20 minutes after 70°C is reached.
5. Discard the water in the bath and thoroughly clean the container and any other materials in contact with the bath.
6. Turn off and unplug the appliance.
7. When appliance is cool, rinse the bottom in cold water and dry before storage.

WARNING: Do not add food (bagged or otherwise) to the water bath while cleaning, and ensure that the bath water has been replaced with fresh water before cooking.

Troubleshooting

If you have any issues with your machine, check to see if these troubleshooting instructions solve the issue. If the problem persists, contact customer service for options on servicing the unit.

Symptom: The water bath does not get hot, or does not circulate.

Press the Power Button to activate the heating coils and circulating motor. You should be able to see water moving through the pump outlet opening. If water is flowing but does not heat, ensure that the target temperature is above the current temperature of the water.

Symptom: The Immersion Circulator does not turn on.

Ensure that the power cord is securely plugged into a grounded outlet. In some cases, a household circuit may become overloaded from the use of electrical appliances causing the outlet to stop supplying power. Check any circuit breaker the outlet is connected to in the house. Make sure the power button is on. The LED display screen is showing the information.

- Double check the power cord and outlet for proper plug use.
- Check the power cord for tears or frays. If your cord shows signs of damage, refrain from use.
- Try turning the power button on for a 5 second duration.

Symptom: The LED display screen reads error code: E05.

The Tayama® Immersion Circulator includes a safety mechanism to protect components from overheating. This normally occurs when the water level is too low or the machine is operated outside a water bath. If this happens, turn off and wait for the machine components to cool down and press the Power to restore the Tayama® Immersion Circulator to normal operation. Make sure the water level is between the MIN and MAX marking on the ELE-01. The machine will alarm and power off when the water level drops below the MIN required for Operation.

- Check the water levels to be sure it doesn't reach below the min. indicator level.
- Turn off the device and fill to the required water level before restarting the mechanism.

Symptom: The LED display screen reads error code: E02.

Your device's digital thermostat is faulty, please contact customer support for assistance.

Tayama Appliance USA Inc.

www.tayama-usa.com